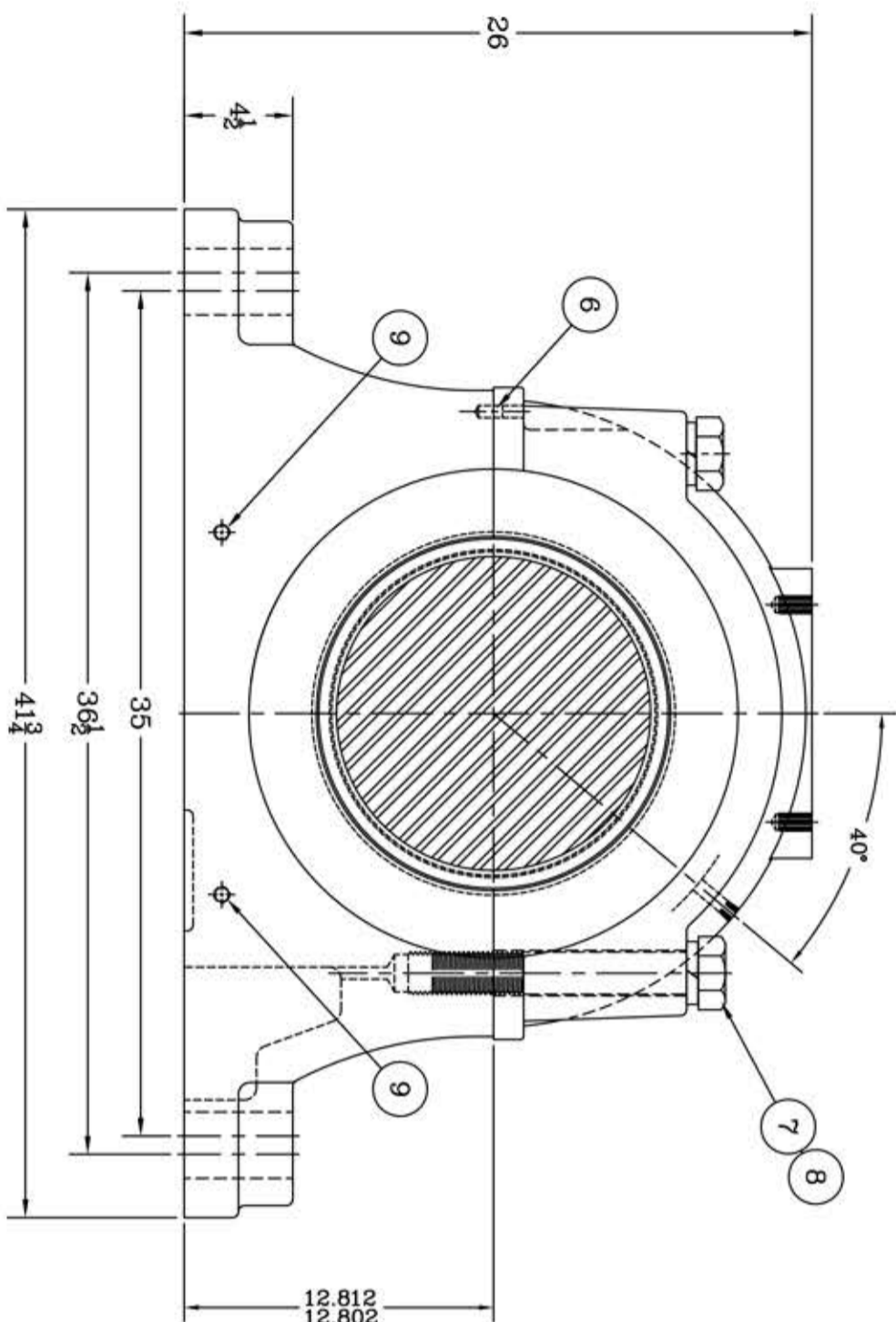
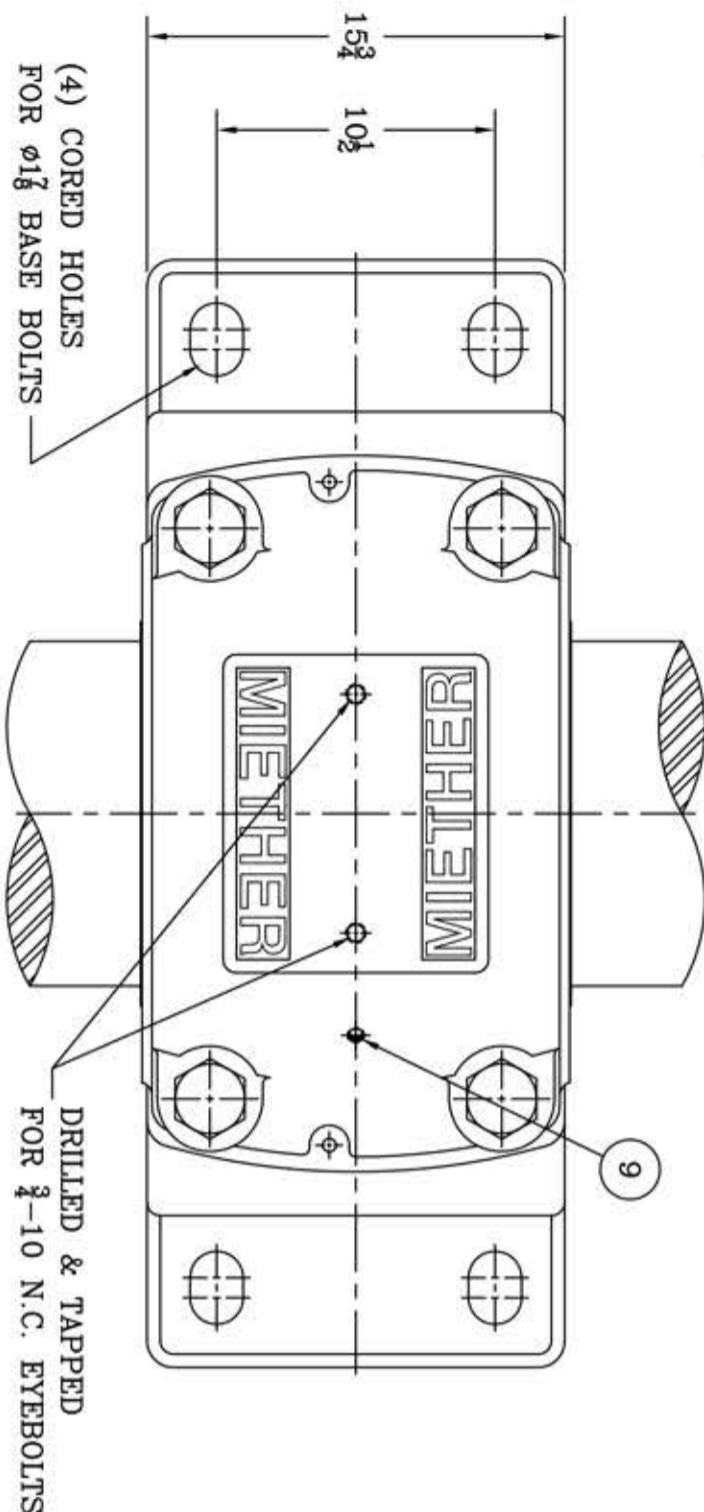
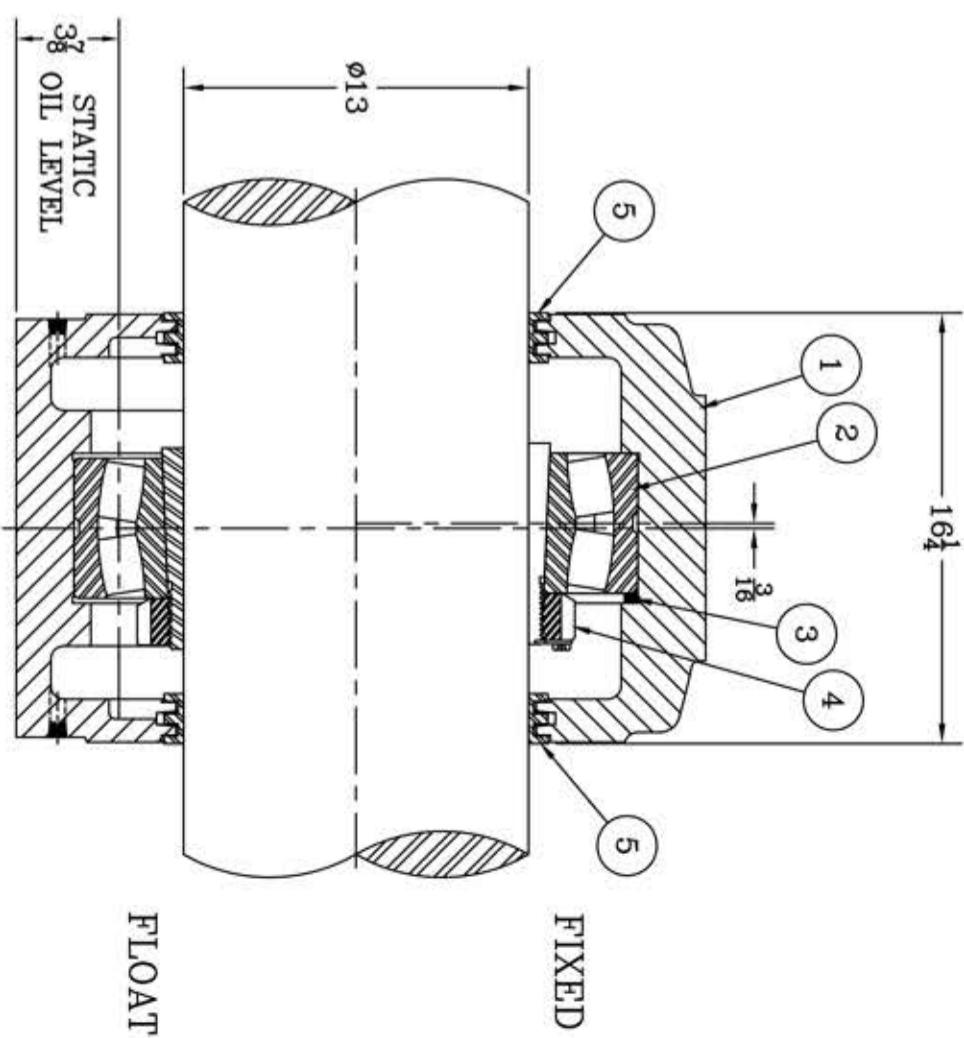


This drawing is the sole property of Miether Bearing Products and contains confidential and proprietary information. It is being provided to you for your use and may not be disclosed to any third party or used for any other purpose without Miether's prior written consent. The [materials] must be returned to the Company upon its demand. Your acceptance of these materials constitutes your acceptance of the foregoing terms.

C-14644



ITEM	DESCRIPTION	DETAIL	REQUIRED
1	HOUSING SDAF 072K 13-00	C-15278	1 1
2	SPHERICAL ROLLER BEARING	23072K/W-33	1 1
3	STABILIZING RING A-8970	A-11636	1 0
4	ADAPTER SNP 3072 13-00	24282	1 1
5	TRIPLE SEAL RING ER-846	A-11637	2 2
6	DOWEL	Ø 1/2 x 1" LONG	2 2
7	CAP BOLT HEX. HEAD	1 1/2-5 NC x 1 1/2" LONG	4 4
8	LOCKWASHER	1 1/2 SPLIT MED.	4 4
9	PIPE PLUG	1/2-14 NPT	5 5



REDRAWN FOR CONFORMITY RWB per KAB 10-29-04
 REDRAWN ON COMPUTER by FM 7-27-98

REVISIONS

SYMBOL	DESCRIPTION	DATE	BY	CHK			
✓C	16	32	63	125	250	500	1000

TOLERANCE: UNLESS OTHERWISE SPECIFIED
 FRACTIONS ± 1/32"
 DECIMALS ± .005
 CASTING ± 1/16"
 WELD ± 1/16"
 ANGLES ± 0° 30'

A.I.S.I. STANDARD FINISHES

AN ALCO INDUSTRIES COMPANY
 BEARING PRODUCTS
 ODESSA, TX. USA

SDAF 23072 K 13-00	ASSEMBLY DRAWING
SCALE 1 = 5	ASSEMBLY NO.
DRAWN OMI	DRAWING NO.
DATE 10/2/93	CHK: C-14644